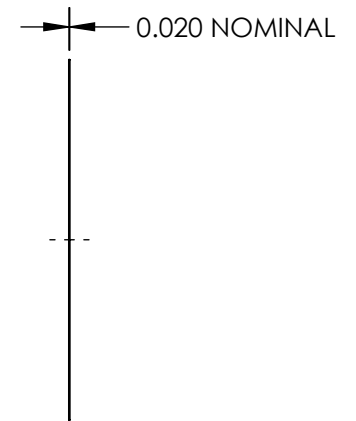
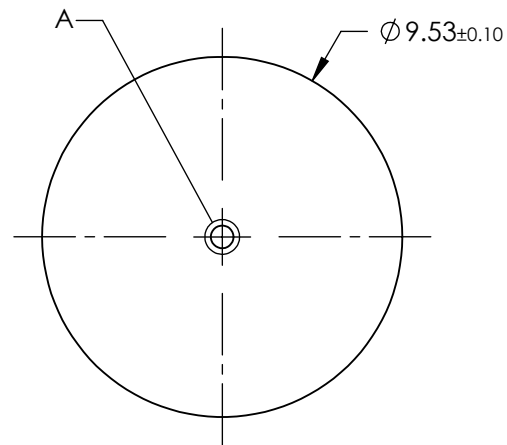
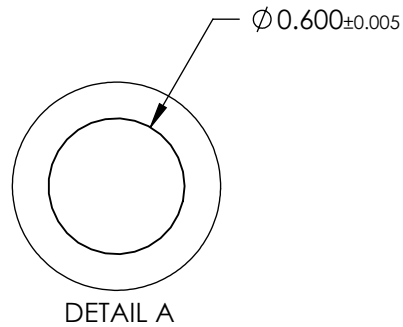
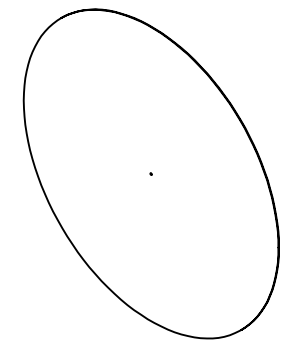


NOTES:

1. MATERIAL: STAINLESS STEEL
2. ABSORBANCE: 99%
3. WAVELENGTH RANGE: EUV - NIR
4. RoHS: COMPLIANT



SPECIFICATIONS SUBJECT TO CHANGE WITHOUT NOTICE  
DIMENSIONS ARE FOR REFERENCE ONLY

**EO**® Edmund Optics®

**FOR INFORMATION ONLY:  
DO NOT MANUFACTURE  
PARTS TO THIS DRAWING**

|                        |    |        |  |              |
|------------------------|----|--------|--|--------------|
| THIRD ANGLE PROJECTION |    | TITLE  | 600µm APERTURE DIAMETER, UNMOUNTED, ACKTAR BLACKENED PINHOLE |              |
| ALL DIMS IN            | mm | DWG NO | 15392  | SHEET 1 OF 1 |