

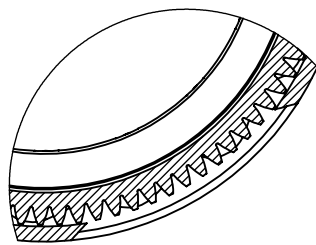
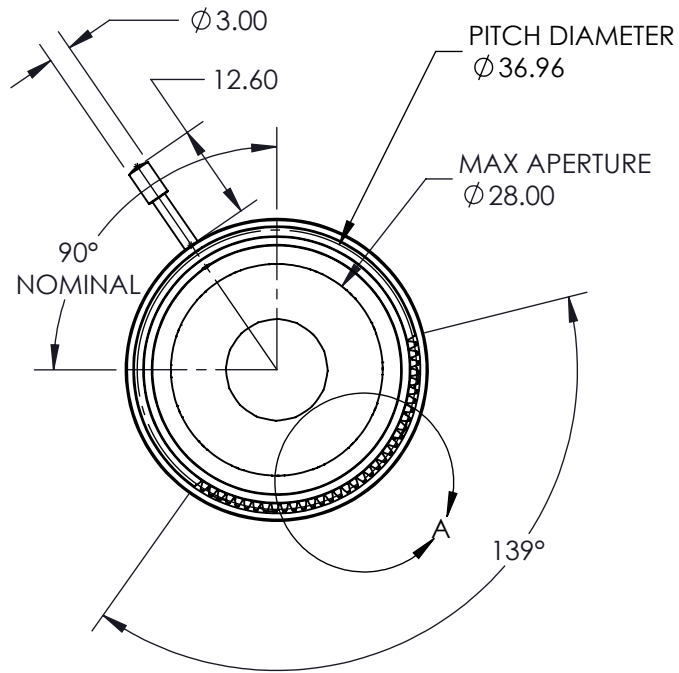
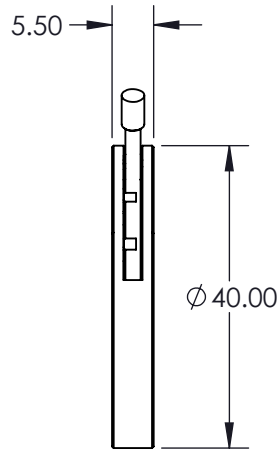
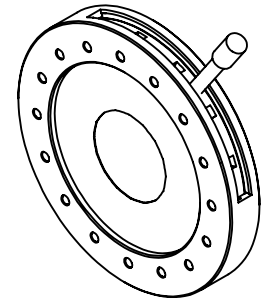
NOTES:

1. REMOVABLE LEVER: M1.7 x 0.35 THREAD

2. MATERIALS

HOUSING: BRASS (BLACK)  
 LEAVES: BLACK SPRING STEEL  
 LEVER: STEEL

**FOR INFORMATION ONLY:  
 DO NOT MANUFACTURE  
 PARTS TO THIS DRAWING**



DETAIL A

SPECIFICATIONS SUBJECT TO CHANGE WITHOUT NOTICE  
 DIMENSIONS ARE FOR REFERENCE ONLY

**EO**® Edmund Optics®

REV. A	VALUE
MIN APERTURE	Ø1.50
GEAR WHEEL MODULE	0.4

THIRD ANGLE PROJECTION		TITLE	28mm MAX APERTURE MOTORIZABLE IRIS	
ALL DIMS IN	mm	DWG NO	34293	SHEET 1 OF 1