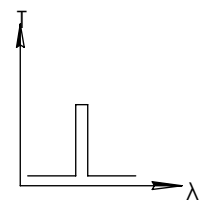
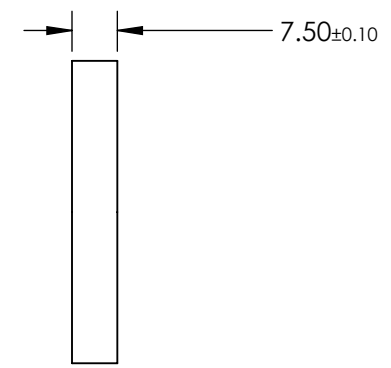
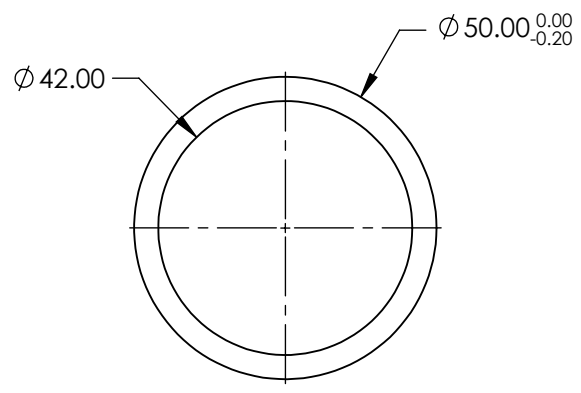
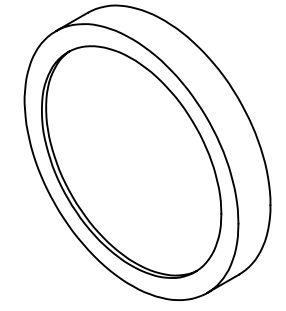


**FOR INFORMATION ONLY:  
DO NOT MANUFACTURE  
PARTS TO THIS DRAWING**



BANDPASS FILTER

SPECIFICATIONS SUBJECT TO CHANGE WITHOUT NOTICE  
DIMENSIONS ARE FOR REFERENCE ONLY

	VALUE
OPTICAL DENSITY	$\geq 3.0$
CENTER WAVELENGTH (CWL)	$580 \pm 2$ nm
FULL WIDTH HALF MAX (FWHM)	$10 \pm 2$ nm
MINIMUM TRANSMISSION	$\geq 45$ %
BLOCKING	200 - 1200nm
SURFACE QUALITY	80-50
CONSTRUCTION	MOUNTED IN BLACK ANODIZED RING
COATING TYPE	TRADITIONAL COATED



ALL DIMS IN

mm

TITLE	$\phi 50$ mm, 580nm x 10nm, MOUNTED BANDPASS FILTER
DWG NO	87003
SHEET	1 OF 1