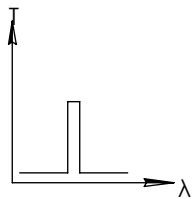
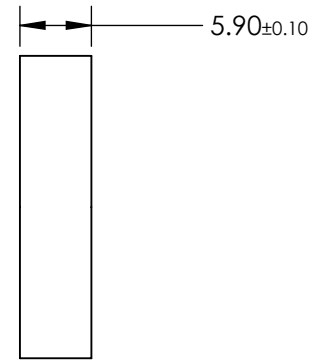
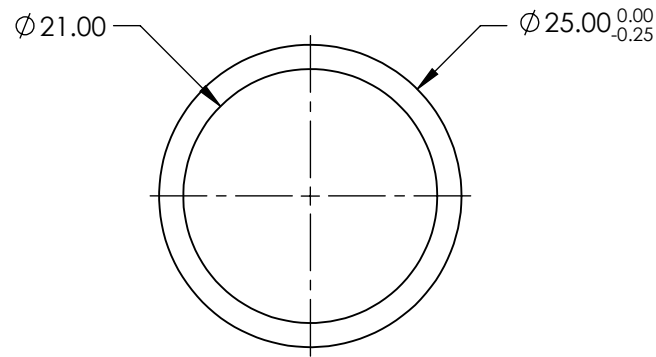
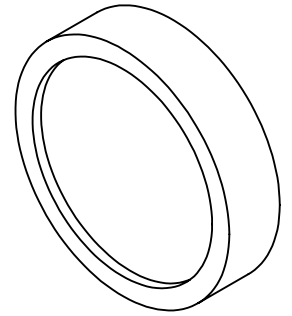


**FOR INFORMATION ONLY:
DO NOT MANUFACTURE
PARTS TO THIS DRAWING**



BANDPASS FILTER

	VALUE
OPTICAL DENSITY	≥ 4.0
CENTER WAVELENGTH (CWL)	710 +3.0/-0.0 nm
FULL WIDTH HALF MAX (FWHM)	10 >55 nm
MINIMUM TRANSMISSION	>55 %
BLOCKING	200 - Far IR
SURFACE QUALITY	80-50
CONSTRUCTION	MOUNTED IN BLACK ANODIZED RING
COATING TYPE	TRADITIONAL COATED

SPECIFICATIONS SUBJECT TO CHANGE WITHOUT NOTICE
DIMENSIONS ARE FOR REFERENCE ONLY

EO® Edmund Optics®

THIRD ANGLE PROJECTION

TITLE

Ø25mm, 710nm x 10nm, MOUNTED
BANDPASS FILTER

ALL DIMS IN

mm

DWG NO

67839

SHEET
1 OF 1