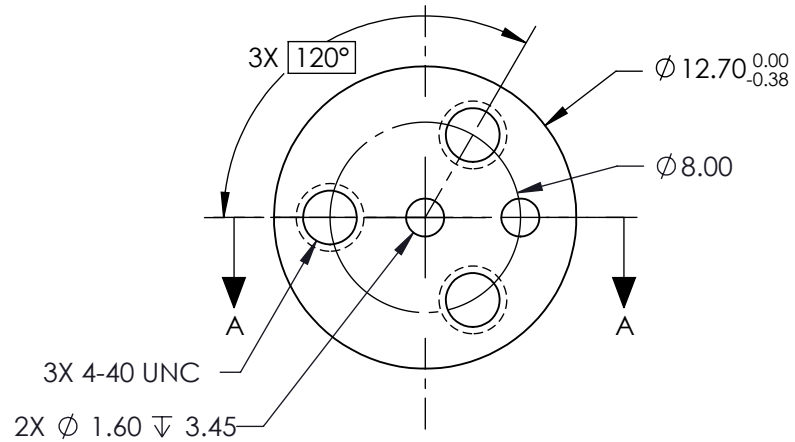
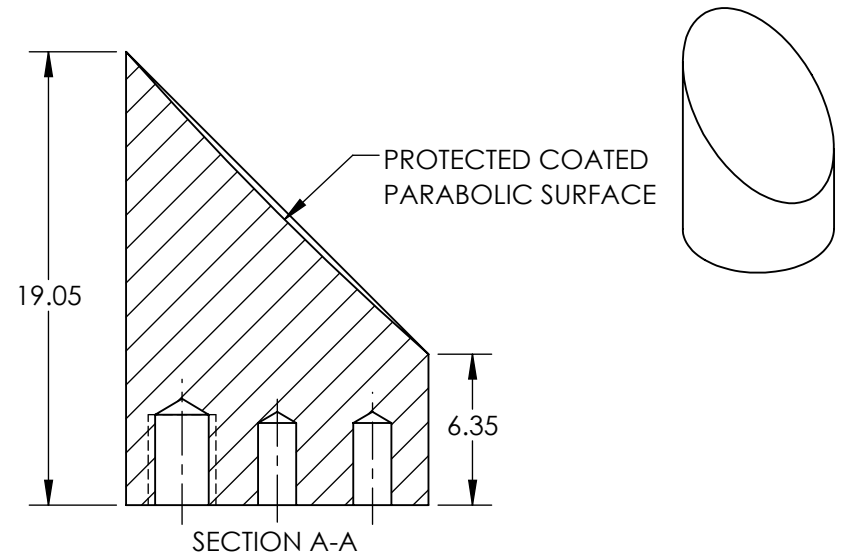
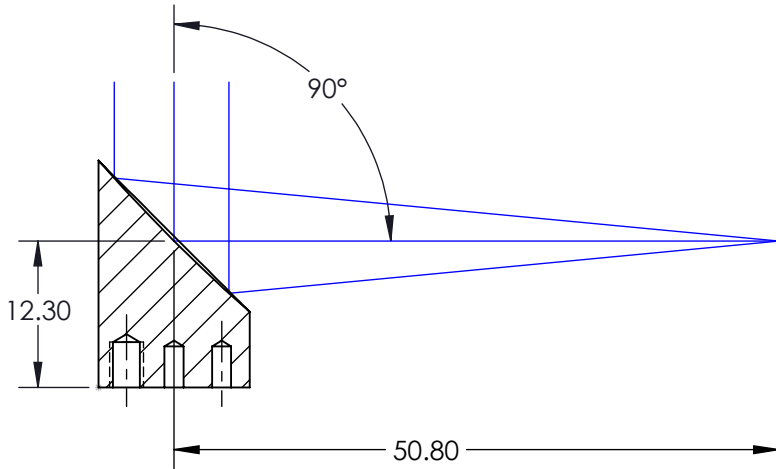


NOTES:

1. ALLOWABLE OPTICAL MATERIAL:
ALUMINUM
2. FINISH (EXCEPT SURFACE S1):
BLACK ANODIZED
3. COATING (APPLY ACROSS COATING APERTURE)
S1: PROTECTED ALUMINUM
R(AVG) >85% @ 400 - 700nm
R(AVG) >70% @ 700 - 2000nm
R(AVG) >97% @ 2000 - 12000nm

SURFACE ROUGHNESS: <175 Å RMS
4. FOCAL LENGTH TOLERANCE: ±1%
5. RoHS COMPLIANT



SPECIFICATIONS SUBJECT TO CHANGE WITHOUT NOTICE
DIMENSIONS ARE FOR REFERENCE ONLY

REV. A	S1
SHAPE	PARABOLIC
REFLECTIVE WAVEFRONT DISTORTION AT 632.8nm (RMS)	$\lambda/4$
SURFACE FIGURE AT 632.8nm (RMS)	$\lambda/8$
CLEAR APERTURE	90%
BEVEL	PROTECTIVE AS NEEDED

THIRD ANGLE PROJECTION		Edmund Optics®	
ALL DIMS IN mm		TITLE	Ø12.7 x 50.8mm EFL 90° OAP PROTECTED ALUMINUM MIRROR 175Å
DWG NO		34564	SHEET 1 OF 1