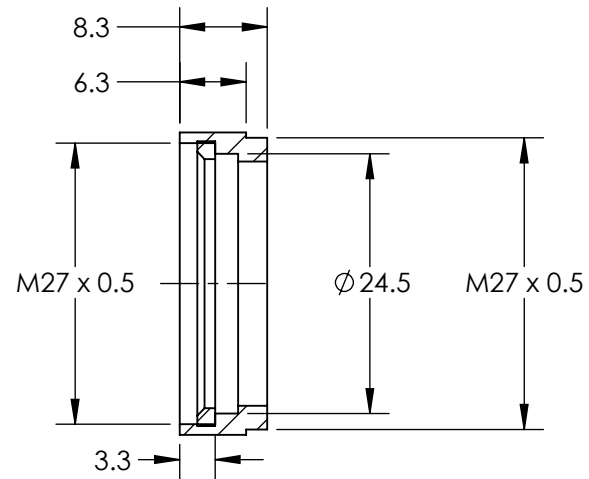
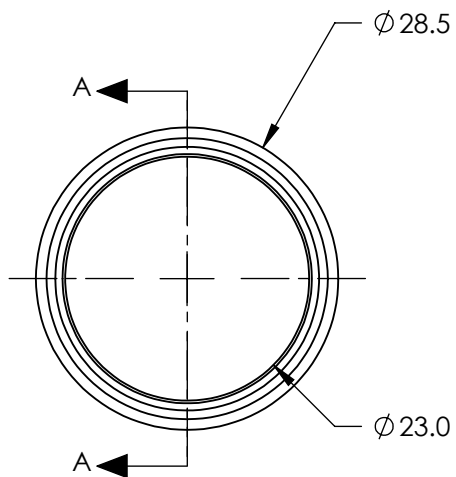
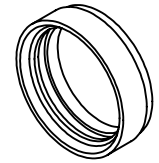


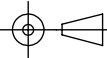
**FOR INFORMATION ONLY:
DO NOT MANUFACTURE
PARTS TO THIS DRAWING**



SECTION A-A

SPECIFICATIONS SUBJECT TO CHANGE WITHOUT NOTICE
DIMENSIONS ARE NOMINAL AND FOR REFERENCE ONLY



THIRD ANGLE PROJECTION 	TITLE	EMPTY FILTER MOUNT - M27 X 0.5	
	ALL DIMS IN	mm	DWG NO 67680
		SHEET 1 OF 1	

	VALUE
RoHS	COMPLIANT